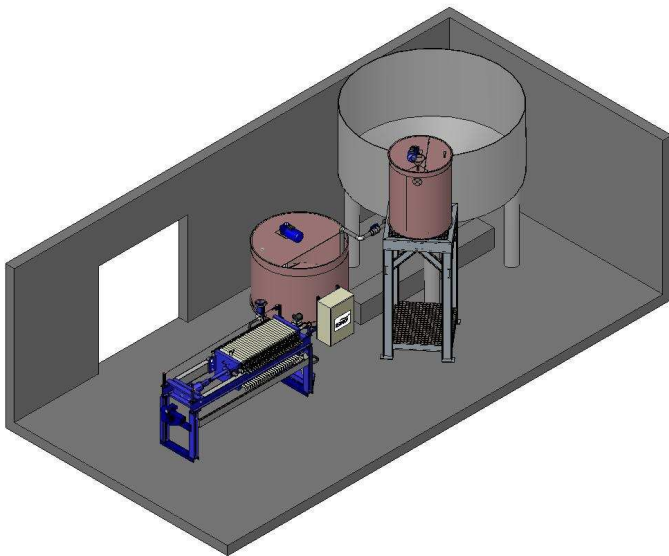
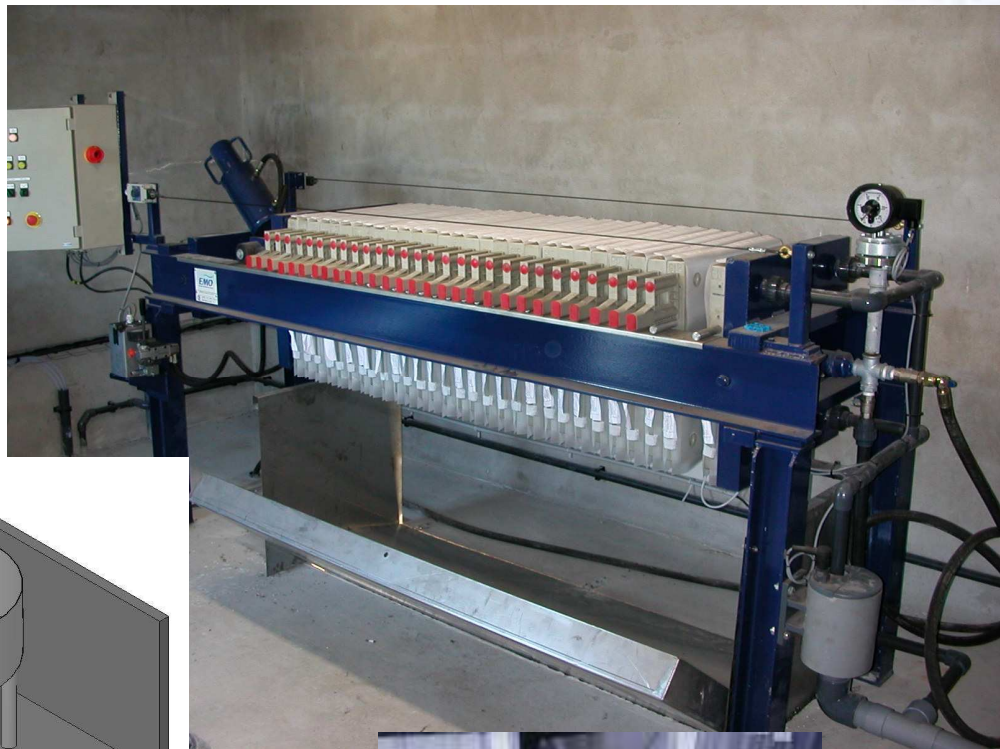


## PLATE FILTER PRESS – Type FPM

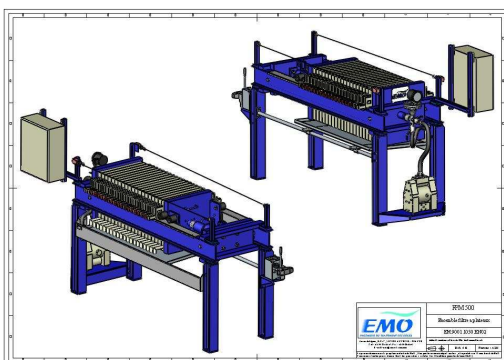
### A -Plate Filter Press with Manual Plate Shifting System : FPM

Suitable for small sludge volume to treat...

Three types : FPM 500, FPM 630, FPM 800.



### Selection tables



Range	Cake thickness	Capacity
<b>FPM 500</b>	20 mm	35 - 115 liters
from 35 to 155 liters	25 mm	40 - 130 liters
from 10 to 35 plates	30 mm	45 - 145 liters
	35 mm	50 - 155 liters
<b>FPM 630</b>	20 mm	190 - 420 liters
from 190 to 580 liters	25 mm	210 - 475 liters
up to 70 plates	30 mm	240 - 530 liters
	35 mm	270 - 580 liters
<b>FPM 800</b>	20 mm	570 - 930 liters
from 570 to 1300 liters	25 mm	650 - 1060 liters
up to 90 plates	30 mm	730 - 1180 liters
	35 mm	795 - 1300 liters

